



Energy Meter

SDM630

User Manual

Please read this manual carefully before use.

Notes and Safety

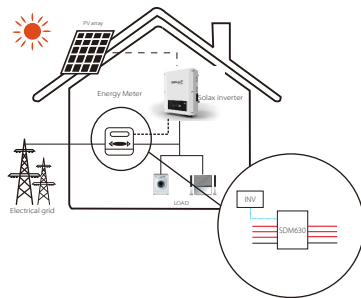
Cut off all power of inverter before installation!
Wait for 5 minutes after power off.

Danger of high voltage!
Danger to life due to high voltage of this machine!

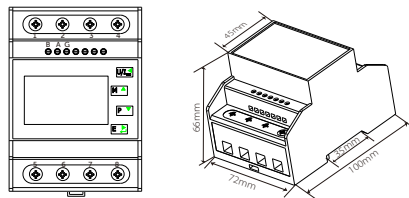
Introduction

① Basic features

SDM630 Meter can achieve energy management together with solax three phase inverter. It applies to 100A system on below, measure the import, export and total power and energy.



② Terminals and Dimension



1-8	Voltage acquisition port
B A G	RS485 port

Only authorized personnel is allowed to set the connection.

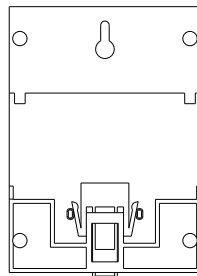
③ Performance and Specification

Phase to Neutral Voltage	176 to 276V
Voltage Between Phases	304 to 480V
Type	Direct disconnection

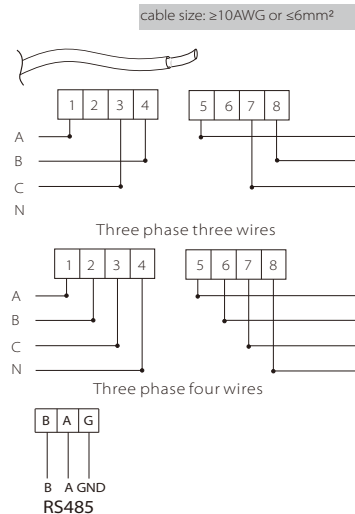
Installation

① Mounting

SDM630 meter is designed for indoor installation. It could be installed on the wall or other place indoor.



② Wiring diagram



③ Wiring Connection

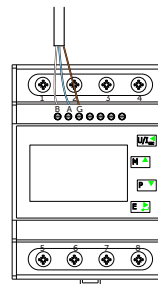
Step 1: RS485 terminal connection

1. Prepare a communication cable.
2. Strip the insulation from the communication cable.
3. Connect the meter communication cable and inverter with reference to the inverter manual.
4. Connect the other end of the communication cable to the meter. See the figure below for the connection.

Please note that the same color communication cable is used for the same communication port identifier between the inverter and the meter.

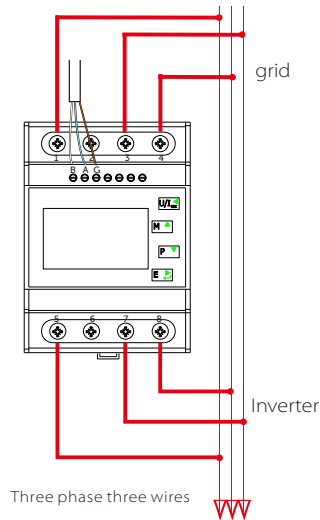
PS: Ground wire is optional.

The color of the communication cable in the figure is for reference only. Please refer to the actual situation for the specific connection.

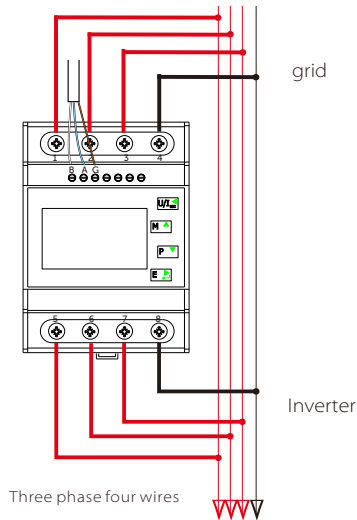


Step 2: Voltage wire connection

1. Connect the 1/2/3/4 port of the meter to the grid terminal.
2. Connect the 5/6/7/8 port of the meter to the load terminal.



06



07

Description of LCD display

① Voltage and Current

U/I *1'	L1 000.0 V L2 000.0 V L3 000.0 V	Phase to neutral voltages.
U/I *2'	L1 0.000 A L2 0.000 A L3 0.000 A	Current on each phase.
U/I *3'	L1 000.0 V L2 000.0 V L3 000.0 V	Phase to neutral voltages.
U/I *4'	L1 000.0 V L2 000.0 V L3 000.0 V	Phase to neutral voltages.

② Frequency and Power Factor and Demand

M *1'	Σ 00.00 Hz 0.999 PF	Frequency and Power Factor (total).
M *2'	L1 0.999 L2 0.999 L3 0.999 PF	Power Factor of each phase.
M *3'	Σ 0.000 kW	Maximum power demand.
M *4'	L1 MD 0.000 A L2 0.000 A L3 0.000 A	Maximum current demand.

08

③ Power

P *1'	L1 0.000 kW L2 0.000 kW L3 0.000 kW	Instantaneous active power in KW.
P *2'	L1 0.000 KVARh L2 0.000 KVARh L3 0.000 KVARh	Instantaneous reactive power in KVAR.
P *3'	L1 0.000 KVA L2 0.000 KVA L3 0.000 KVA	Instantaneous volt-amps in KVA.
P *4'	Σ 0.000 kW Σ 0.000 KVARh Σ 0.000 KVA	Total kW,KVARh,KVA.

④ Energy

E *1'	IMPORT 0000 kWh 0.314 kWh	Import active energy in kWh.
E *2'	EXPORT 0000 kWh 000.0 kWh	Export active energy in kWh.
E *3'	IMPORT 0000 KVARh 000.0 KVARh	Import reactive energy in KVARh.
E *4'	EXPORT 0000 KVARh 000.0 KVARh	Export reactive energy in KVARh.
E *5'	0000 kWh Σ 031.4 kWh	Total active energy in kWh.

09

Warranty Regulation

Terms and conditions

SolaX grants a warranty of 12 months as standard. Starting from the date of the purchase invoice marked. SolaX will only perform warranty service when the faulty unit is returned to SolaX together with a copy of invoice and warranty card which were issued by the dealer and manufacturer to the users. In addition, the type label of the unit must be fully legible. If these requirements are not fulfilled, SolaX reserves the right for all warranty terms and conditions.

Exclusion of liability

Warranty claims are excluded for direct or indirect damage due to:

- 1: Use of unit in ways not intended, improper installation and installation that does not comply with standards, improper operation and unauthorized modification to the units or repair attempt.
- 2: Without warranty card and serial number.
- 3: Operating the units with defective protective equipment.
- 4: Influence of foreign objects and force majeure.
- 5: Inadequate ventilation.
- 6: Violate relevant safety regulations.

To register your SolaX product, please mail this warranty card to:
SolaX Power Network Technology (Zhejiang) Co., Ltd.
 ADD. No.288 shizhu Road, Tonglu Economic Zone,
 Tonglu City, Zhejiang Province, China.

Tel. +86 571 56260011
 FAX +86 571 56075753
 EMAIL service@solaxpower.com
 WEB www.solaxpower.com

Online warranty registration is available at
<http://www.solaxpower.com/en/warranty-registration/>

10

Warranty Registration Form

Name Country

Phone Number..... Zip Code

Email

Address

Product Serial Number.....

Date of Commissioning

Installation Company Name

Date of Delivery

Signature

11