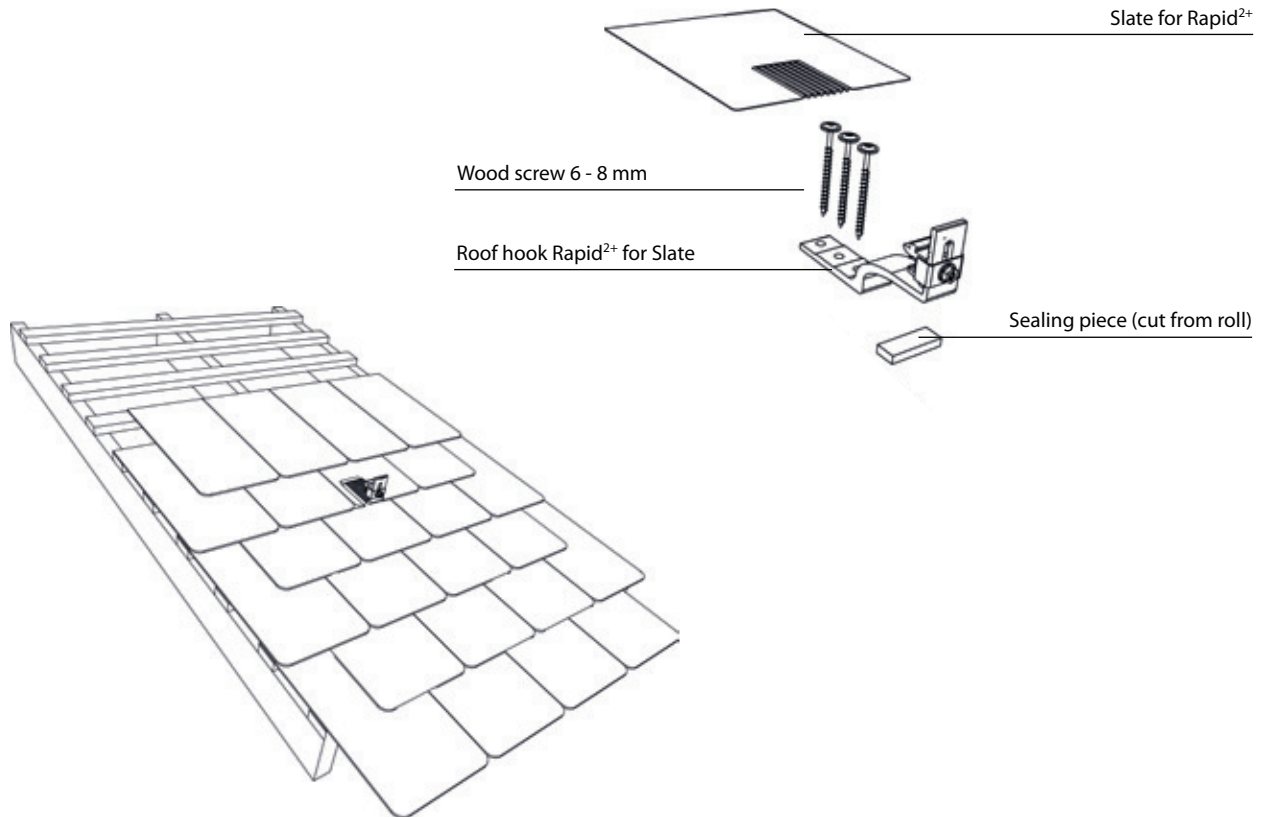


Roof hook Rapid²⁺ Slate

mounting instructions



Required tools

Screwdriver with bit holder
 Bit T40
 Angle grinder with diamond grinding wheel



The Schletter tool kit includes the tools required for all standard systems.

Additional documentation required

Roof-hook mounting - General guidelines
 Mounting and Project Planning

Tightening torques

M8 bolted connections: 15 Nm

Exception:

Wood screws: They must be fastened tightly, but must not be overtightened.

Safety information



Planning, mounting and putting into operation of the solar plant must be performed by qualified personnel only. Poor quality execution can result in damage to the plant and to the building and can present a risk to people.



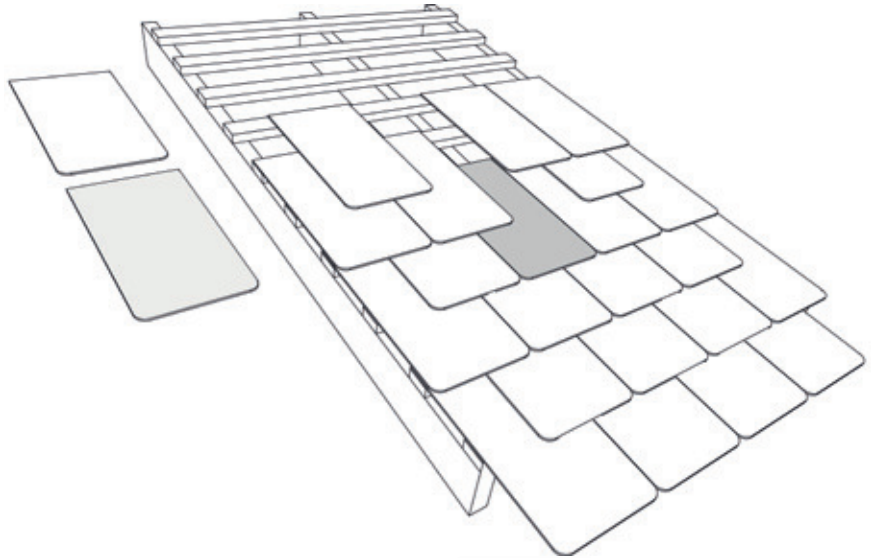
Risk of falling! There is a risk of falling when working on the roof as well as when ascending and descending the building. Accident prevention regulations must be observed and appropriate safety equipment must be used.



Risk of injury! Objects falling from the roof can cause injury to people. The danger area around the installation site must be sealed off and people close to this area must be warned.

1 Select position

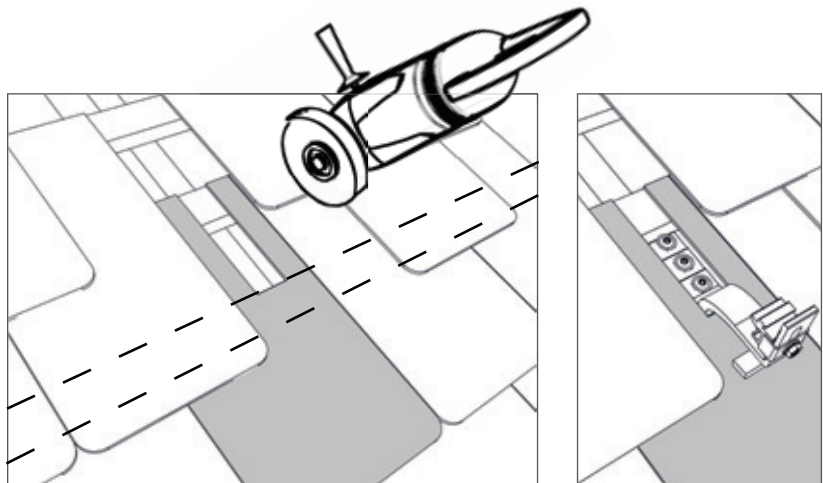
- Select the mounting position along the rafters.
- Remove the overlying shingles



2 Cut out a part of the roof shingle

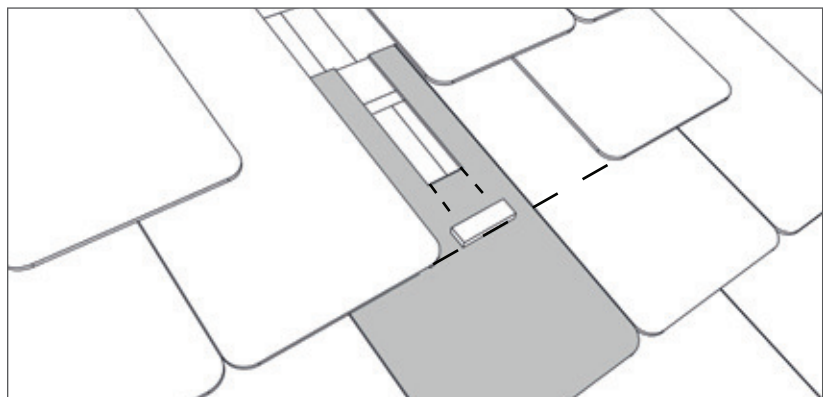
- Cut out a part of the roof shingle in the rafter area using an angle grinder with diamond grinding wheel. Only grind away so much material that the roof hook fits into the cut-out and reaches down to the next roof batten.

⚠ First and foremost, the established standards of roofing must be observed. Any modification of shingles can lead to a loss of warranty and/or guarantee for the roof covering. Faulty modifications of shingles can result in substantial damage caused by leaks in the roof.



3 Affix the sealing piece

- Remove dust and soilings, the surfaces must be dry
- Remove the protective foil.
- Affix the sealing piece (cut from roll)

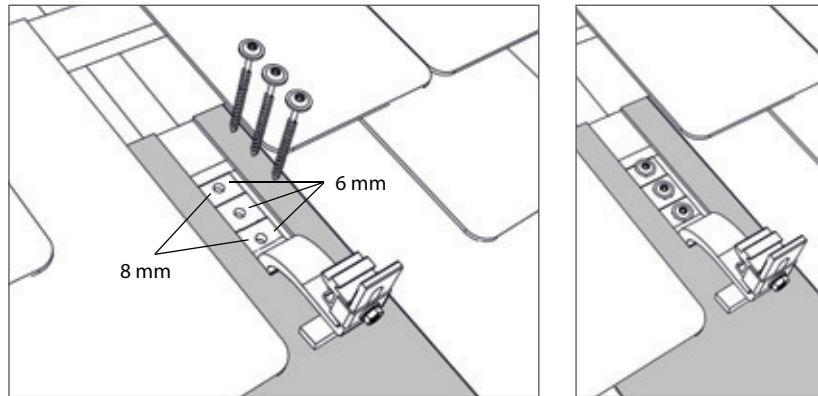


4 Fastening of the roof hooks

- Fasten the roof hooks with 2 wood screws 8 mm or 3 wood screws 6 mm.

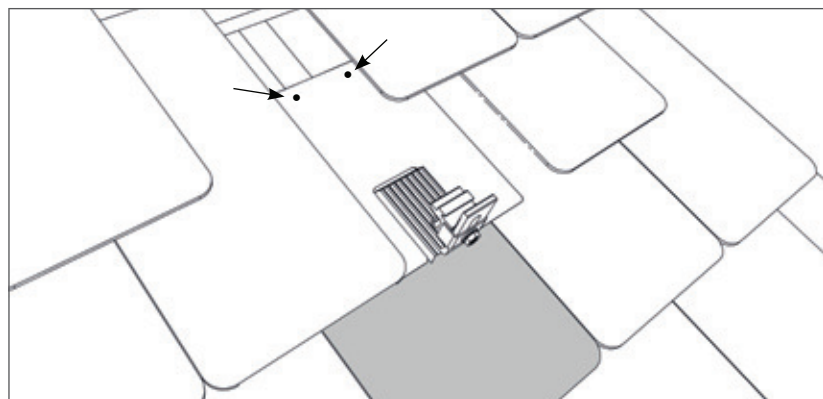
⚠ A minimum distance of 5 mm between the bar of the hook and the tile beneath must be maintained. If required, please use Schletter under-layment pieces.

⚠ Select the screw length so as to ensure a thread engagement of at least 40 mm in the rafter.



5 Insert the Slate plate

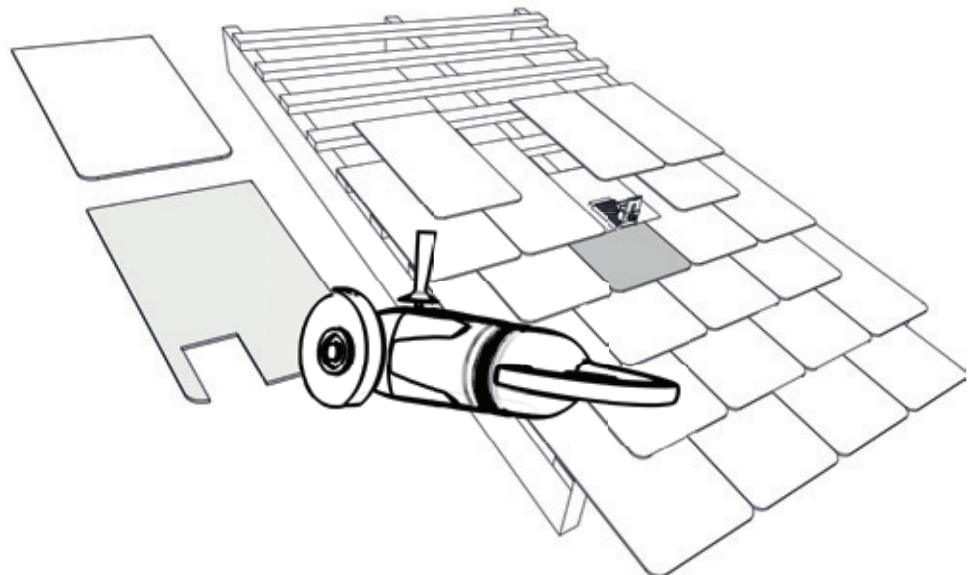
- Insert the Slate plate
- Pull off the protective foil and press the glue strip on
- Form the elastic connection apron so that it fits the roof hook.
- Fasten the Slate plate at the top with nails. Pre-drill the shingles, if required.



6 Cutting out pieces of the roof shingles

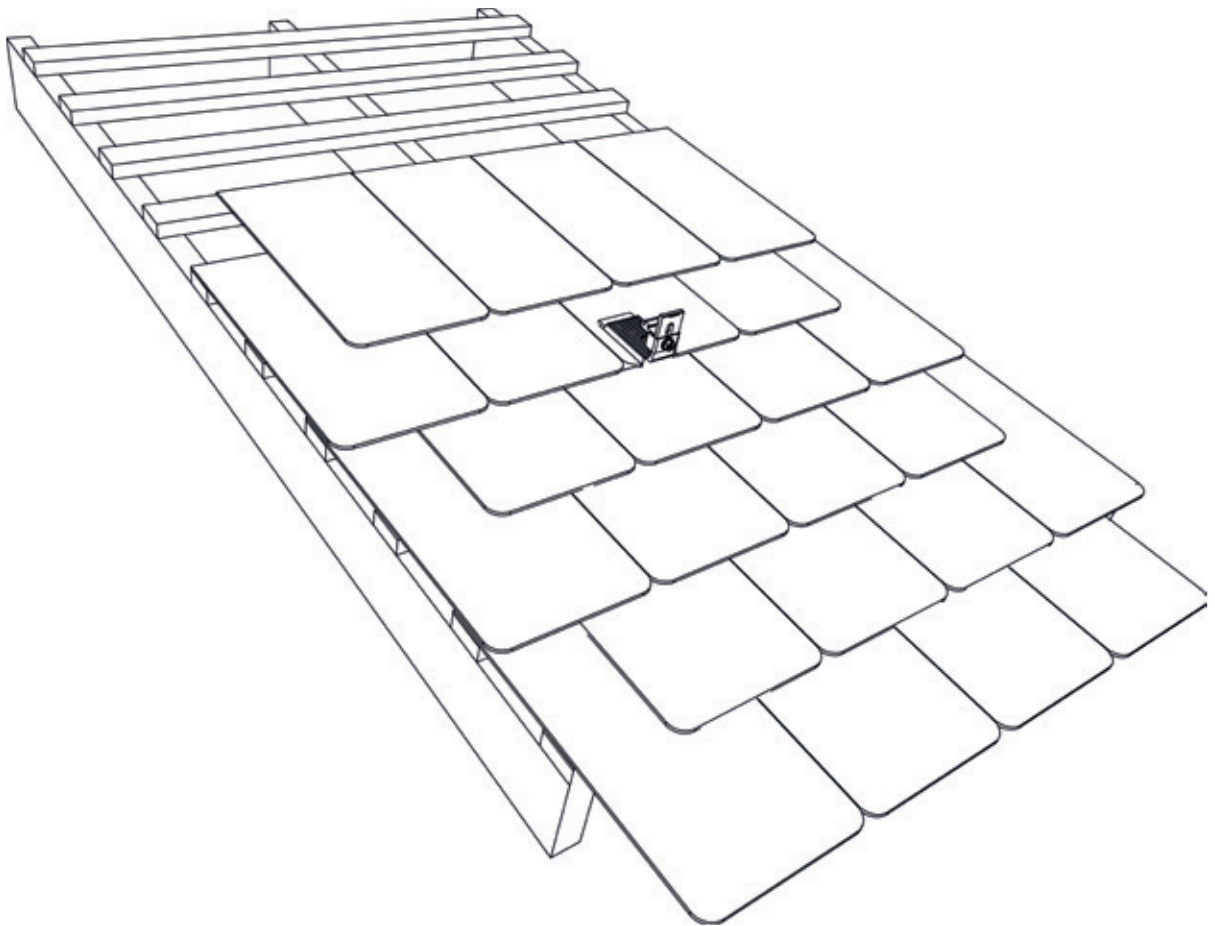
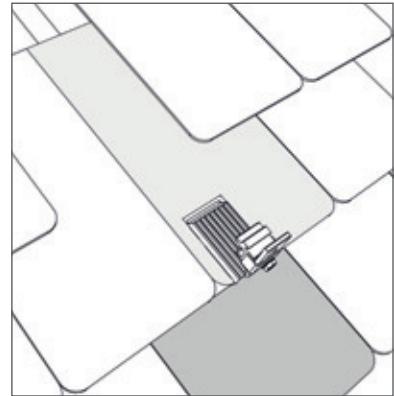
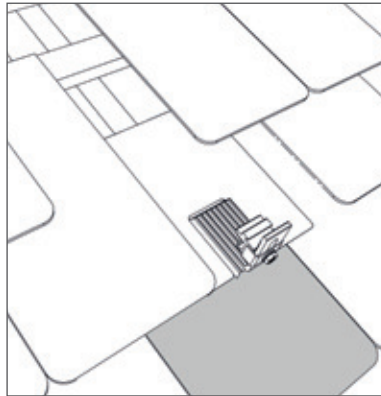
- Only cut out the area that is required for the Slate roof hook.

⚠ First and foremost, the established standards of roofing must be observed. Any modification of the shingles can lead to a loss of warranty and/or guarantee for the roof covering. Faulty modifications of shingles can result in substantial damage caused by leaks in the roof.



🔧 Re-insert the remaining roof shingles

⚠️ Re-insert the roof shingles you removed before according to the established standards of roofing.



For further information relating to our systems, please refer to our website:
www.schletter.eu under Downloads in the Solar section.