

PROLINE ROOF HOOKS

INSTALLATION GUIDE

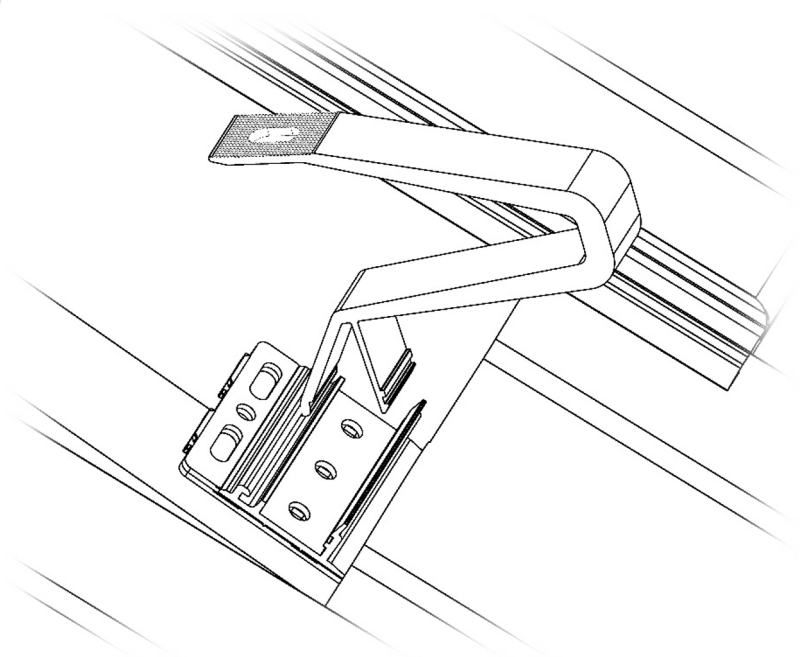


Table of contents

PROLINE ROOF HOOKS INSTALLATION GUIDE.....	3
TOOLS NEEDED	3
FURTHER REQUIRED DOCUMENTATION	3
TIGHTENING TORQUE.....	3
SAFETY INSTRUCTIONS	3
RAPIDA45 INSTALLATION INSTRUCTIONS.....	3
INSTALLATION	4
1. SELECT POSITION.....	4
2. FLEX OUT THE LOWER ROOF TILE.....	5
3. INSERT ROOF HOOKS.....	5
4. FLEX OUT THE UPPER ROOF TILE	7
5. COVER TILES.....	8
6.MOUNTING THE ECOA PROFILE	8
7. MOUNTING THE RAPIDA PROFILE.....	9
8. MOUNTING THE RAPIDA UNIVERSAL PROFILE	9

PROLINE ROOF HOOKS INSTALLATION GUIDE

TOOLS NEEDED

- Screwdriver with bit insert
- Bit T40
- Angle grinder with diamond wheel

FURTHER REQUIRED DOCUMENTATION

- Roof hook installation - General information

TIGHTENING TORQUE

- Screw connections M8: 15 Nm



Exception: Wood screws: with depth stop

SAFETY INSTRUCTIONS



Planning, installation and commissioning of the solar power system must only be performed by qualified technical personnel. Improper execution can result in damage to the system and premises and endanger persons.



Falling hazard! Working on the roof as well as ascending and descending poses a risk of falling. It is vital to observe accident prevention regulations and use appropriate fall protection equipment.



Injury hazard! Falling objects pose a risk of injury to people. Prior to installation, set up barriers in the hazard area to warn people nearby.

RAPIDA45 INSTALLATION INSTRUCTIONS

- Ideally, the tile gaps (tiles pushed upwards) should be used with the roof battens/counter battens for climbing
- Climbing on rails should be avoided
- The frame and especially the rails must not be used as climbing aids on roof pitches > 30°.
- When installing, mount the roof hooks completely, mount the top row of rails and lay the modules immediately, then the next row from top to bottom.
- A support on the upper arm of the roof hook provides the necessary stability (support on the back of the upper part of the roof hook).
- PV mounting systems are not suitable for use as climbing aids or fall protection systems

INSTALLATION



1. SELECT POSITION

- Select mounting position along the existing rafters.
- Cover the roof tiles.



For low roof pitches and unusual tile shapes, we recommend applying our "sealing tape for roof tiles" before inserting the roof hook.



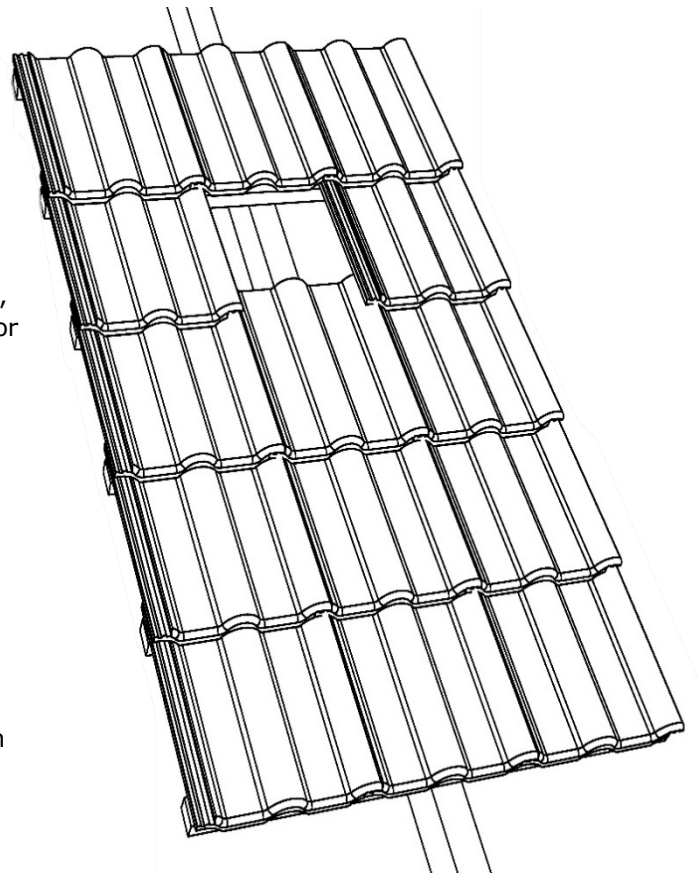
Use a spacer if necessary.



A minimum distance of 5 mm must be maintained between the bracket of the roof hook and the roof tile underneath it. When ordering the roof hook, make sure that the height of the lower bracket section has been chosen correctly in relation to the batten height and the tile thickness and that the minimum distance can be maintained.

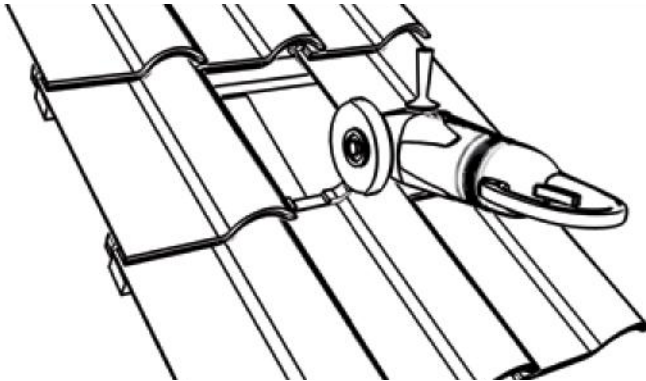


When carrying out the following step, observe the recognised rules of the roofing trade as a matter of priority. The machining of roof tiles regularly leads to the loss of the warranty and, if applicable, a guarantee for the roof cladding. Improper machining of roof tiles can cause the roof to leak and result in significant damage.



2. FLEX OUT THE LOWER ROOF TILE

- If the roof tile underneath has a raised edge at the top, this can be removed to maintain the minimum distance. Use an angle grinder with a diamond wheel for this.



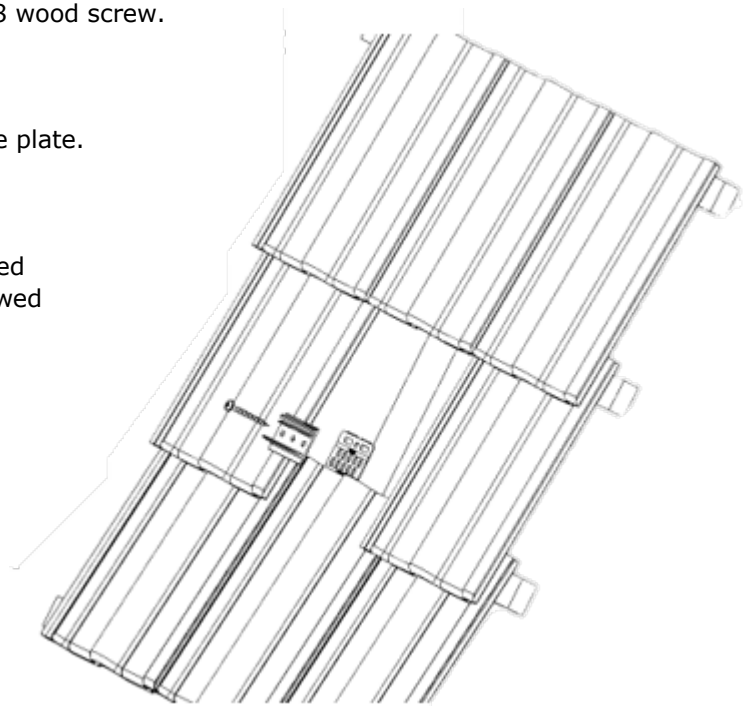
Only remove the raised edge; never ablate any deeper. Only remove the raised edge to the extent that the minimum distance is maintained.

3. INSERT ROOF HOOKS

- Screw on the base plate using an M8 wood screw.
- Use a shim if necessary.
- Fix the ProLine roof hook to the base plate.

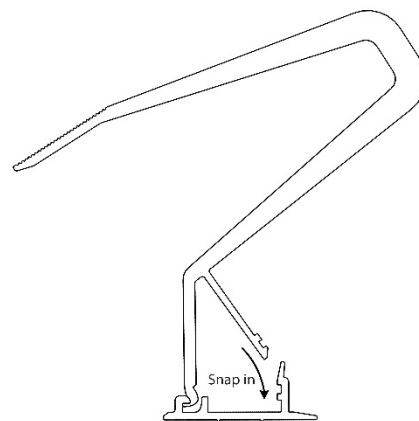


The length of the screws must be selected so that at least 80 mm of thread is screwed into the rafter.



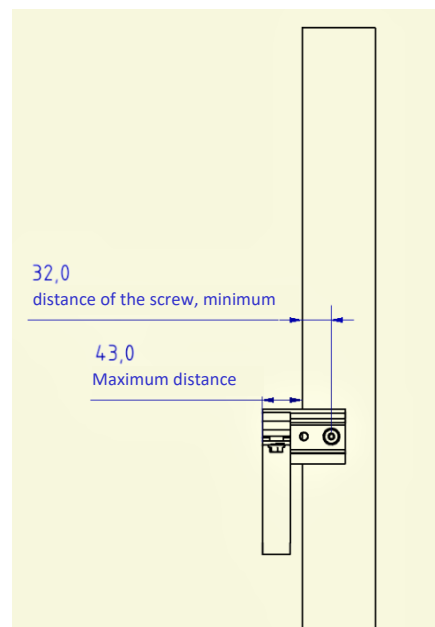


Thread the front nib of the roof hook into the base plate, then push it backwards and snap the rear nib into the base plate.



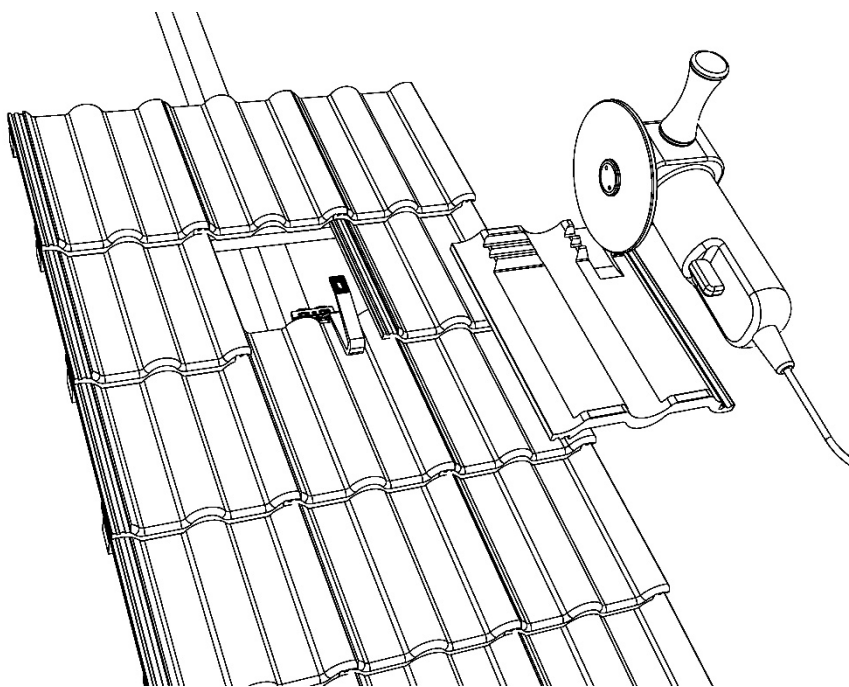
Screw connection:

For the ProLine roof hooks, only one M8 wood screw is used for fixing. The standard edge distance of the screw is 4x the screw diameter. The roof hooks can thus be mounted with a max. overhang of 43 mm.



4. FLEX OUT THE UPPER ROOF TILE

- Turn over the removed tile.
- Use an angle grinder with a diamond wheel to machine the bar in the area of the roof hook.

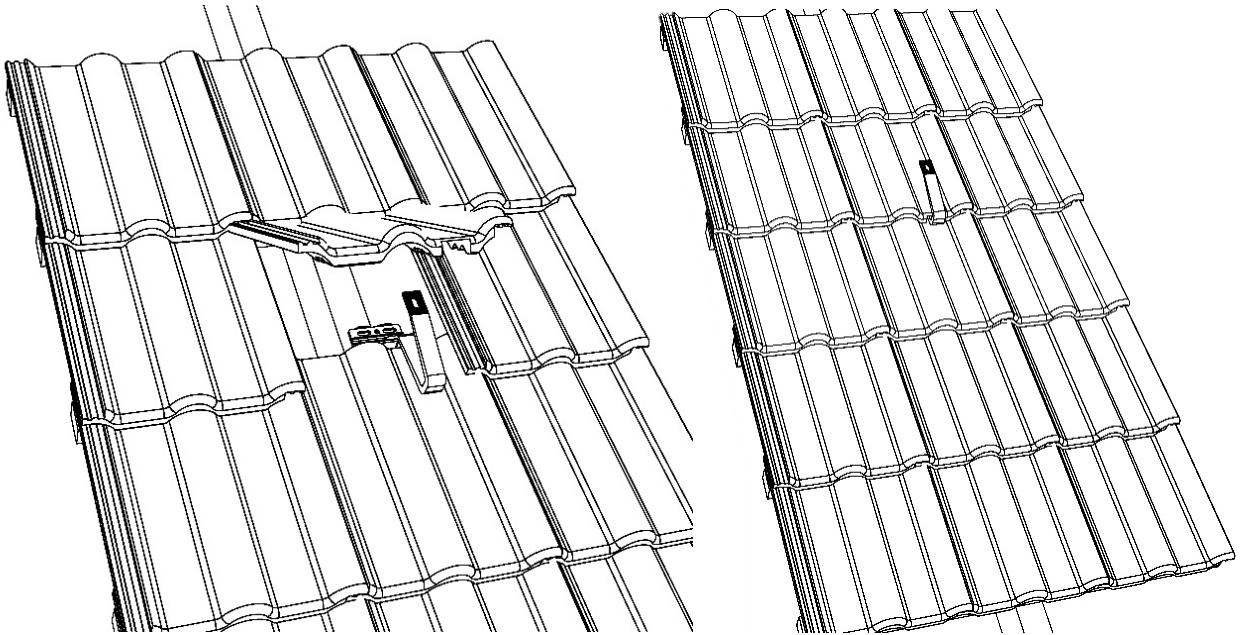


Remove the bar so that there is at least 5 mm clearance around the roof hook in the next step!

Only remove the bar!

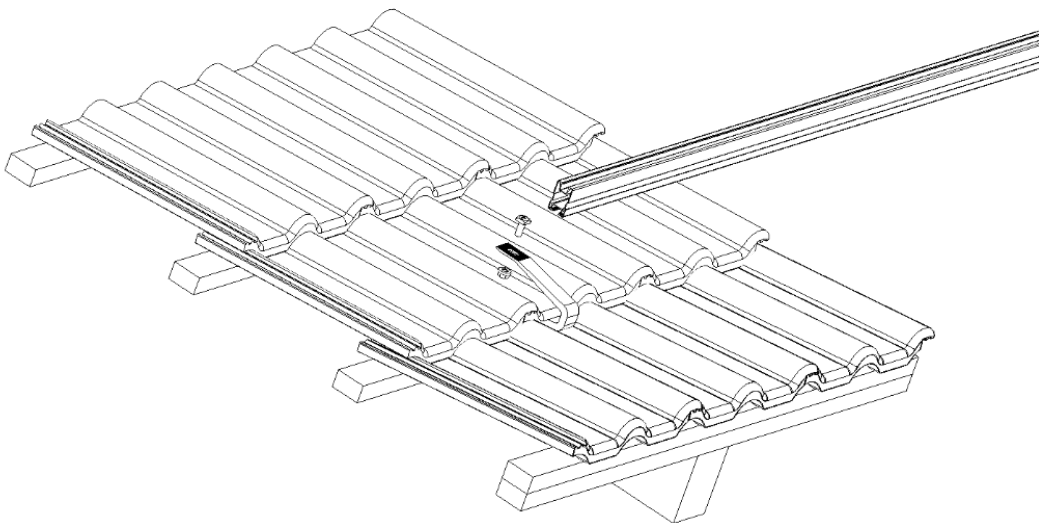
Do not grind any deeper!

5. COVER TILES



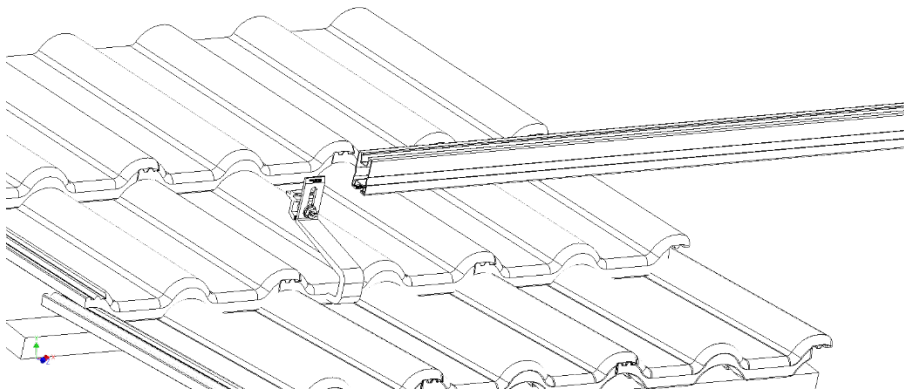
6. MOUNTING THE ECOA PROFILE

- Insert the square head screw into the lower groove of the profile.
- Place the profile on the roof hook and fix it with M10 nuts.
- If necessary, align the profile before tightening the nut.



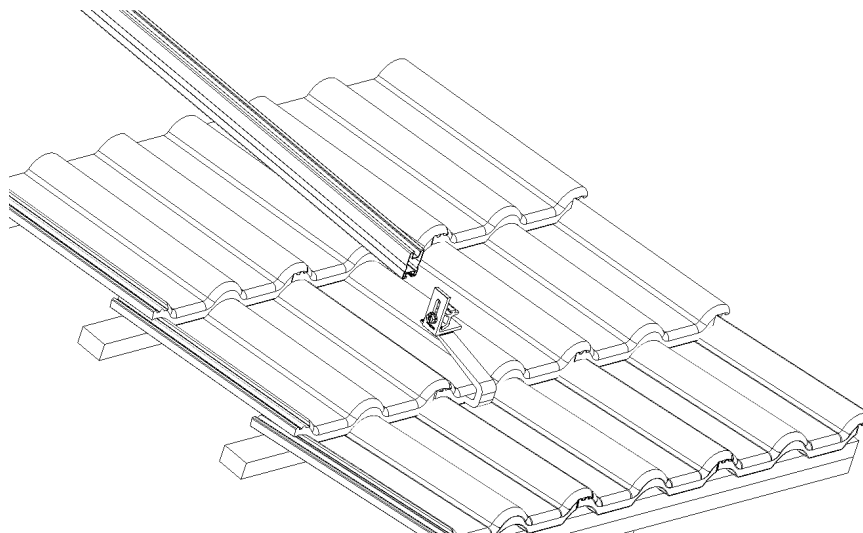
7. MOUNTING THE RAPIDA PROFILE

- Hook in the profile.
- If necessary, adjust the Rapid attachment to the desired height in order to compensate for roof unevenness.
- Tighten the pre-assembled screw on the roof hook.



8. MOUNTING THE RAPIDA UNIVERSAL PROFILE

- Hook in the profile.
- If necessary, adjust the Rapid attachment to the desired height in order to compensate for roof unevenness.
- Tighten the pre-assembled screw on the roof hook.



Further information regarding our systems is available on our website:
www.schletter-group.com under Downloads in the solar section.



SCHLETTER
The Solar Mounting Group

SCHLETTER SOLAR GMBH
Alustraße 1
83527 Kirchdorf
GERMANY

www.schletter-group.com

We reserve the right to changes,
including technical modification.