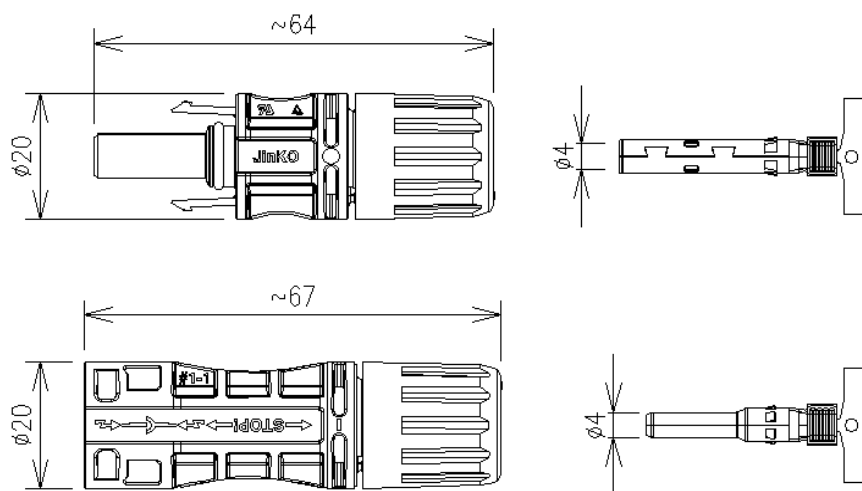


PV Cable Connector: PV-JK03M/xy series



- High security, only unbolt by tools.
- Low contact resistance.
- Retaining structure of nut to keep torsion valid.
- Resistance to ozone and ultraviolet radiation.
- Degree of Protection : IP68.
- Certification of TÜV, UL, and JET.
- Compatible with the first-generation product of JinKO.



Technical Data

Rated Voltage	1000V DC(PC+PA) / 1500V DC(PPE+PA)
Rated Current	45A (4.0mm ²) 50A (6.0mm ²)
Ambient Temperature	-40°C~+85°C
Upper Limit Temperature	100°C (TÜV)
Degree of Protection, mated	IP68 (1m,2h)
Degree of Protection ,unmated	IP2X
Application Class	Class A
Over Voltage Category/ Pollution Degree	CATIII/2
Contact Resistance	≤0.3mΩ
Protection Class	Class II
Terminal Connection	Riveting
Conduction Material	Cu alloy plating
Insulation Material	PPE+PA/PC+PA
Cable Dimensions	4.0mm ² 5.5~6.5mm 6.0mm ² 6.0~7.0mm
Certification Standard	TÜV IEC 62852